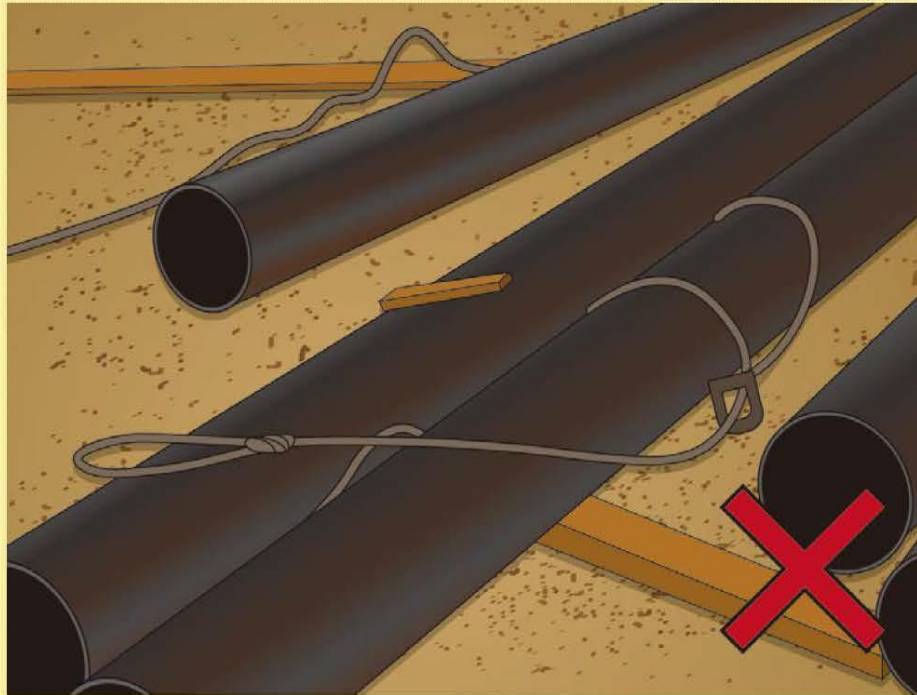


LIFTING OPERATIONS

吊運工作

BAD PRACTICE 不良作業方式

- Wire rope sling without color coding was used for lifting operation
- 用於吊運操作的鋼絲纜索無顏色代碼系統



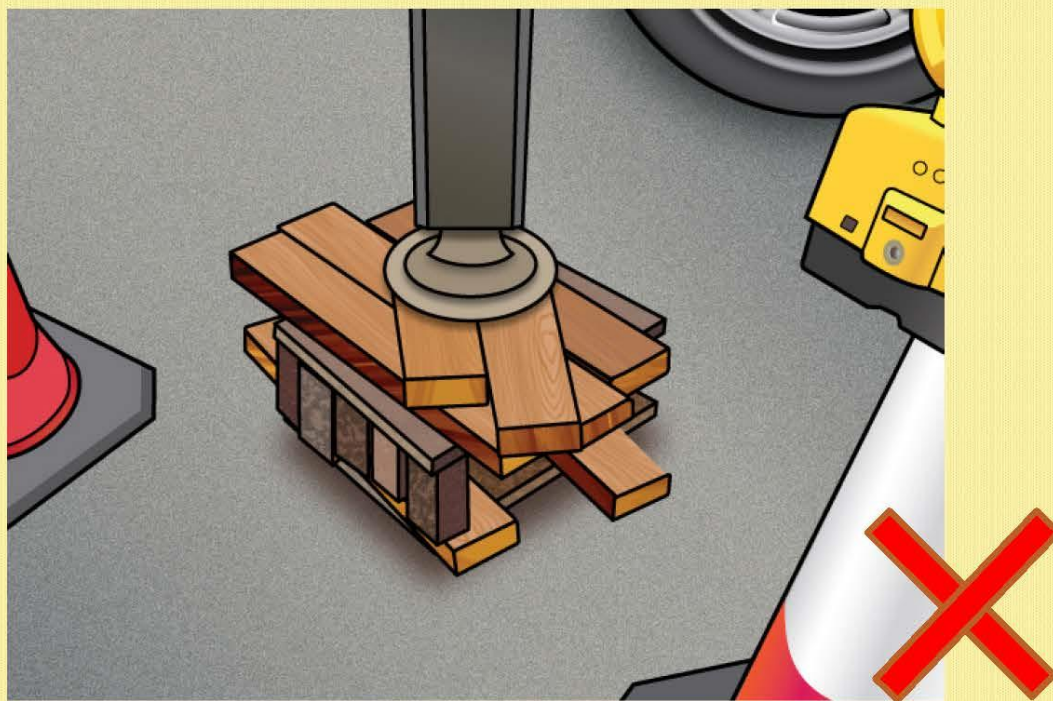
BAD PRACTICE 不良作業方式

- The signaler stayed behind the loading/unloading areas of steel reinforcement lorry
- 訊號員站在正在裝載的鋼筋貨車後面



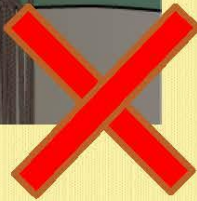
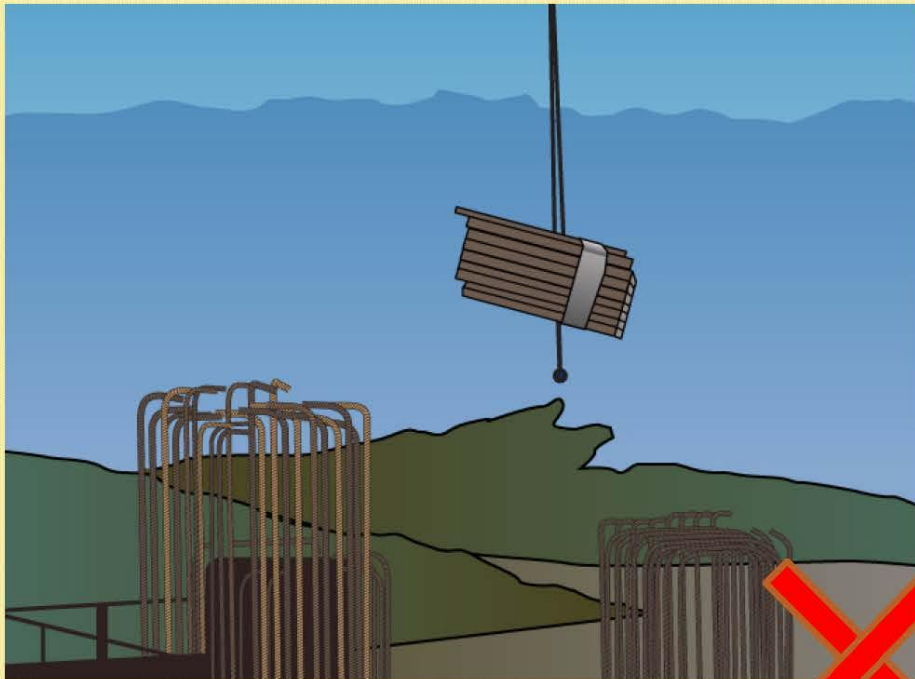
BAD PRACTICE 不良作業方式

- Outriggers of pump truck were not properly stacked
- 泵車的伸展腳未有妥善承托



BAD PRACTICE 不良作業方式

- Materials were not lifted in appropriate
- 沒有使用正確的方法吊運物料



Metal tubular scaffolding frames should be secured with four-legged metal chain



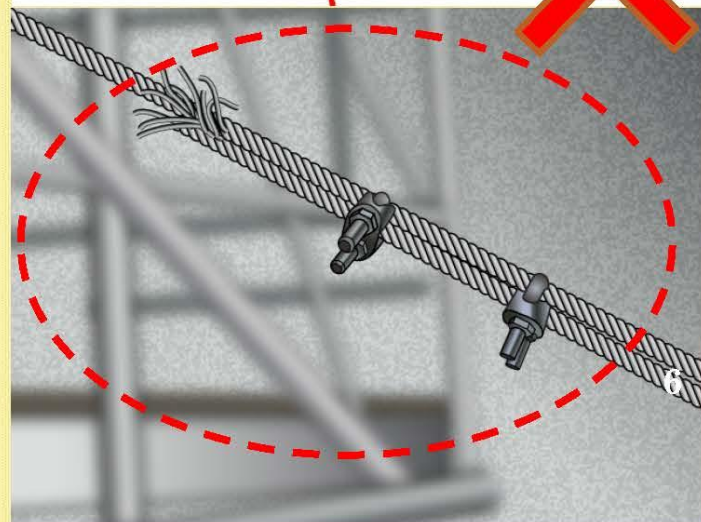
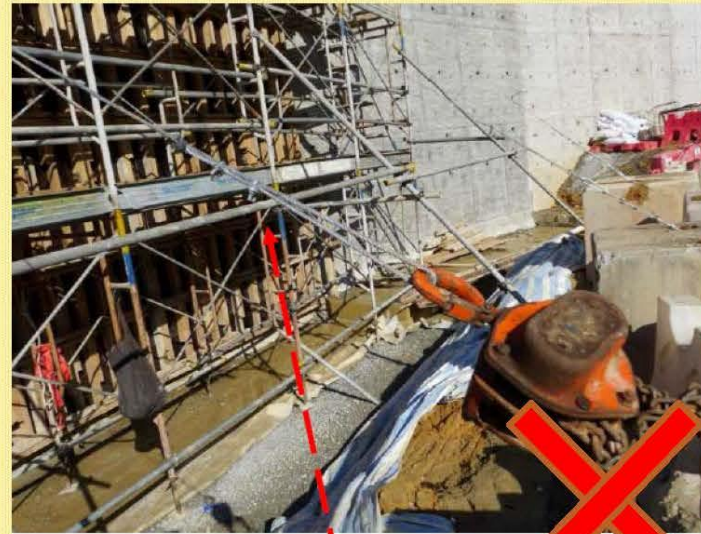
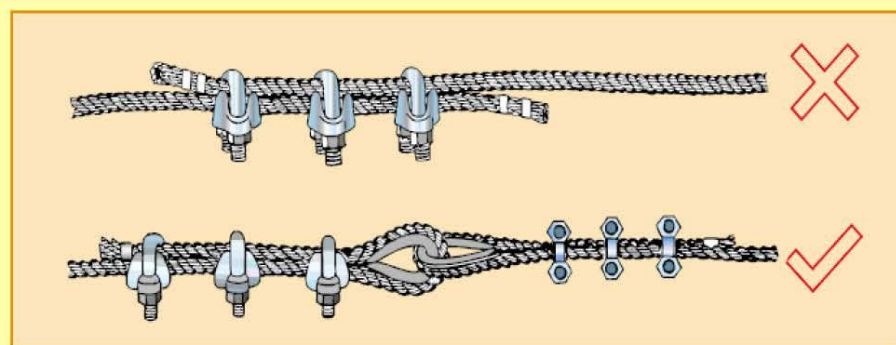
Signaller should signal crane operator to lift materials slowly

5

Reference: Good Practice Promotion Kit
- Lifting Operation of Tower Crane

BAD PRACTICE 不良作業方式

- Incorrect of connection of wire rope slings
- 纜吊索連接方法不正確



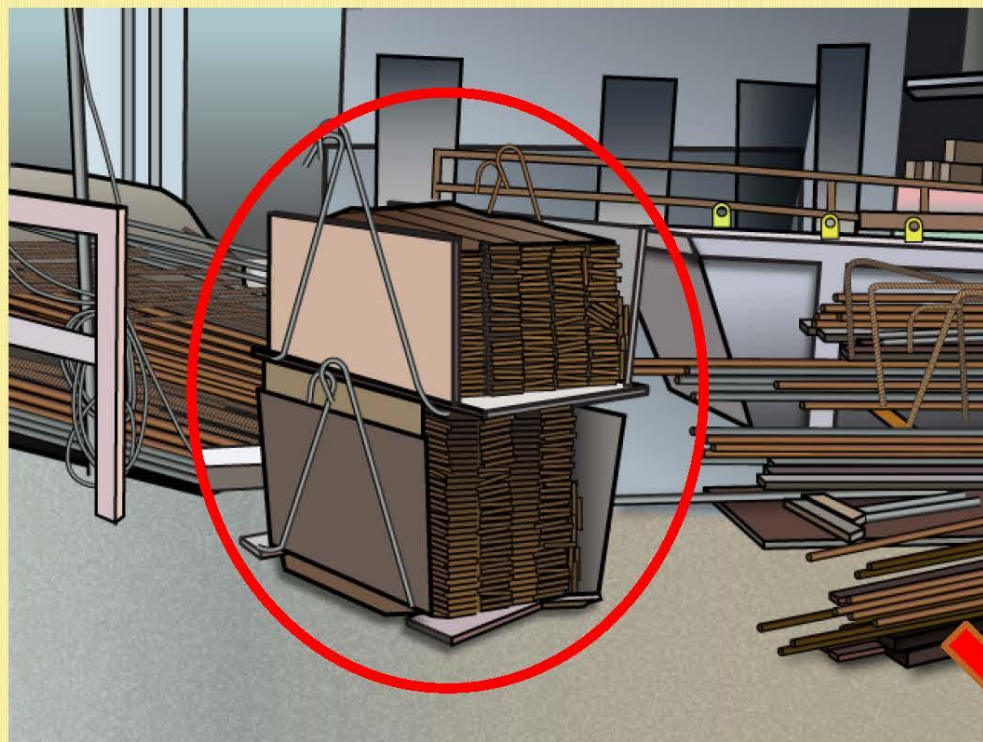
BAD PRACTICE 不良作業方式

- Damaged wire rope with eye end fitting
- 損壞的吊索



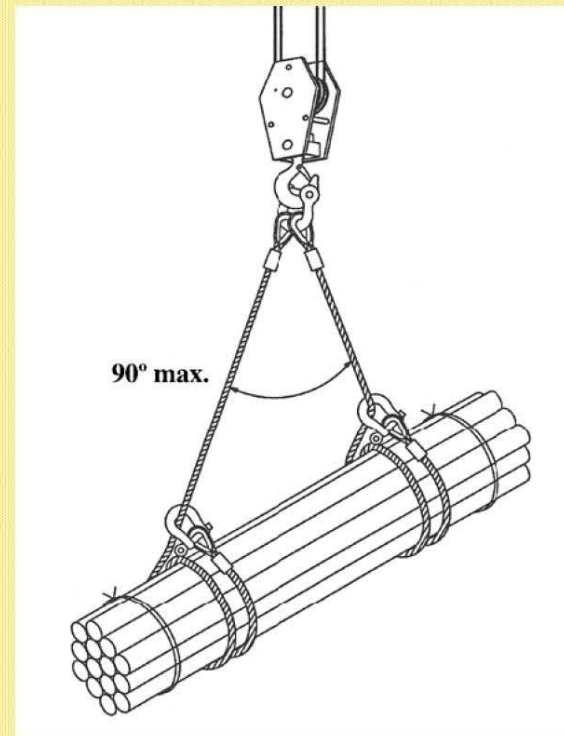
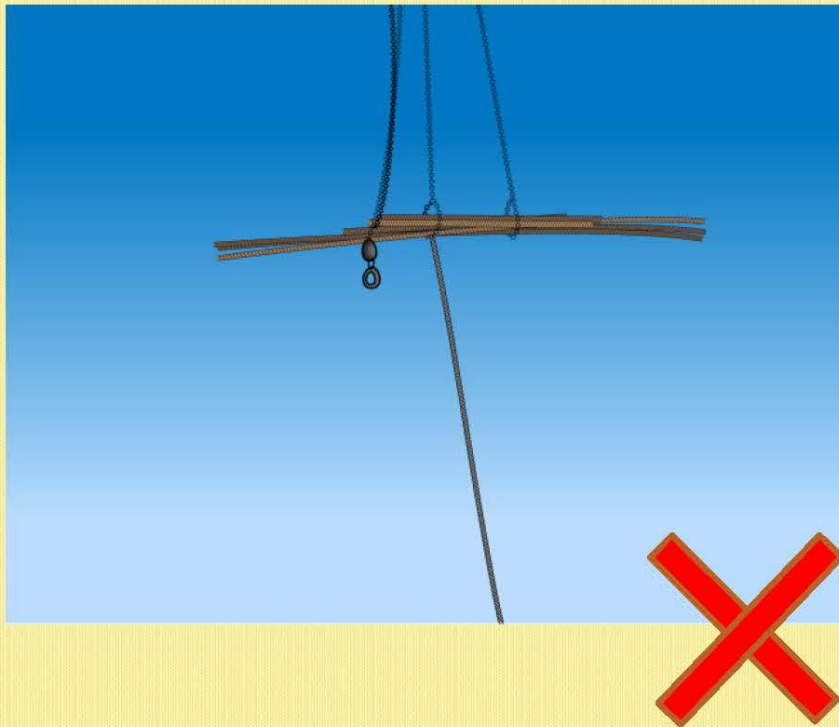
BAD PRACTICE 不良作業方式

- The loose materials were not lifted properly
- 未能妥善吊運鬆散的物料



BAD PRACTICE 不良作業方式

- The loose materials were not properly lifted
- 沒有以妥善的方法吊運鬆散的物料



Reference: Good Practice for Safe Use of Tower Cranes by Labour Department

BAD PRACTICE 不良作業方式

- Thimble was deformed
- 嵌環變形

